



MOVING WALLS

Product data sheets

# Moving Stool

## Moving Stool

### The mobile stackable stool

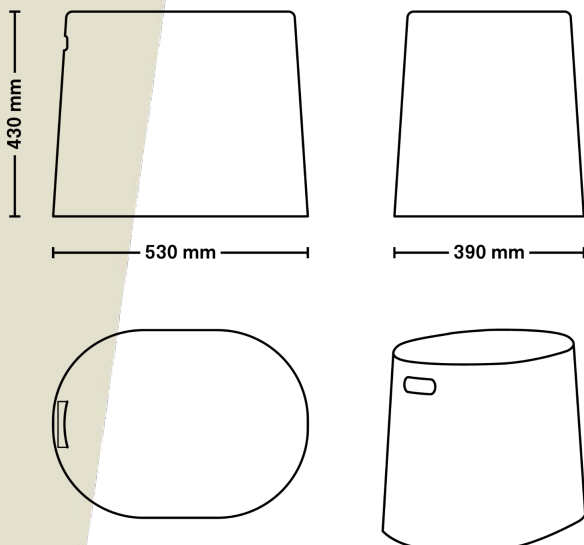
The Moving Stool is the perfect addition for a modular and multifunctional space concept.

Made from recyclable formfleece, the surprisingly stable and lightweight stool has a generously proportioned and comfortable seat moulded into the top.

The conical shape allows a practical stacking, thus making it another useful mobile working tool in an agile environment. Turned upside down, the stool also doubles as a practical container. The handhold cutout on the side of the stool allows for easy pick up and portability.

Dimensioned to fit into the storage space in between the two sides of the Moving Wall, the Moving Stool comes in a stone grey or anthracite colour.

### DIMENSIONS



## Product Information

### DIMENSIONS (W x D x H)

390 x 530 x 430 mm  
15.35 x 20.9 x 16.95 in

### MATERIAL

Recyclable formfleece

### WEIGHT

2.4 kg / 5.3 lbs

### COLOUR

Light - stone grey Dark - anthracite  
Further colours on request

### DESIGN

Jörg Boner

### MADE

in Germany

### DELIVERY INFORMATION

Delivery time  
4 - 6 weeks after placing order

### ASSEMBLY

No assembly required



Stackable, space-saving design



Can be stored inside the Moving Wall



Lightweight and portable